

Video IO



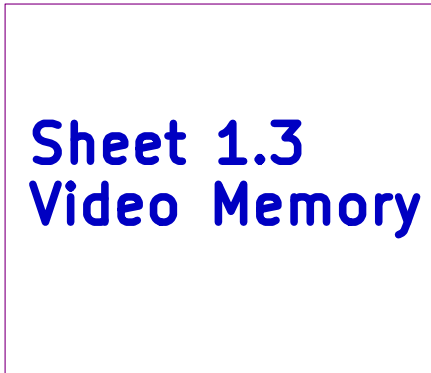
File: Sheet11.kicad_sch

Video Control

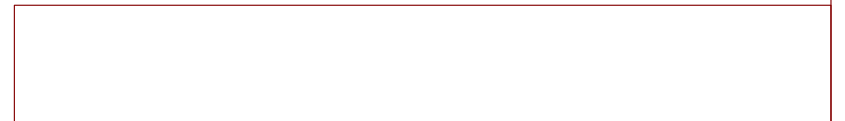


File: Sheet12.kicad_sch

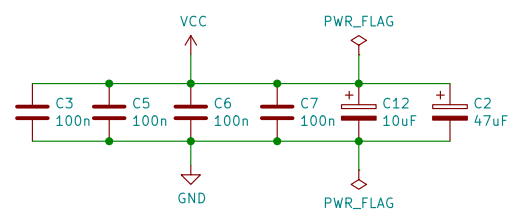
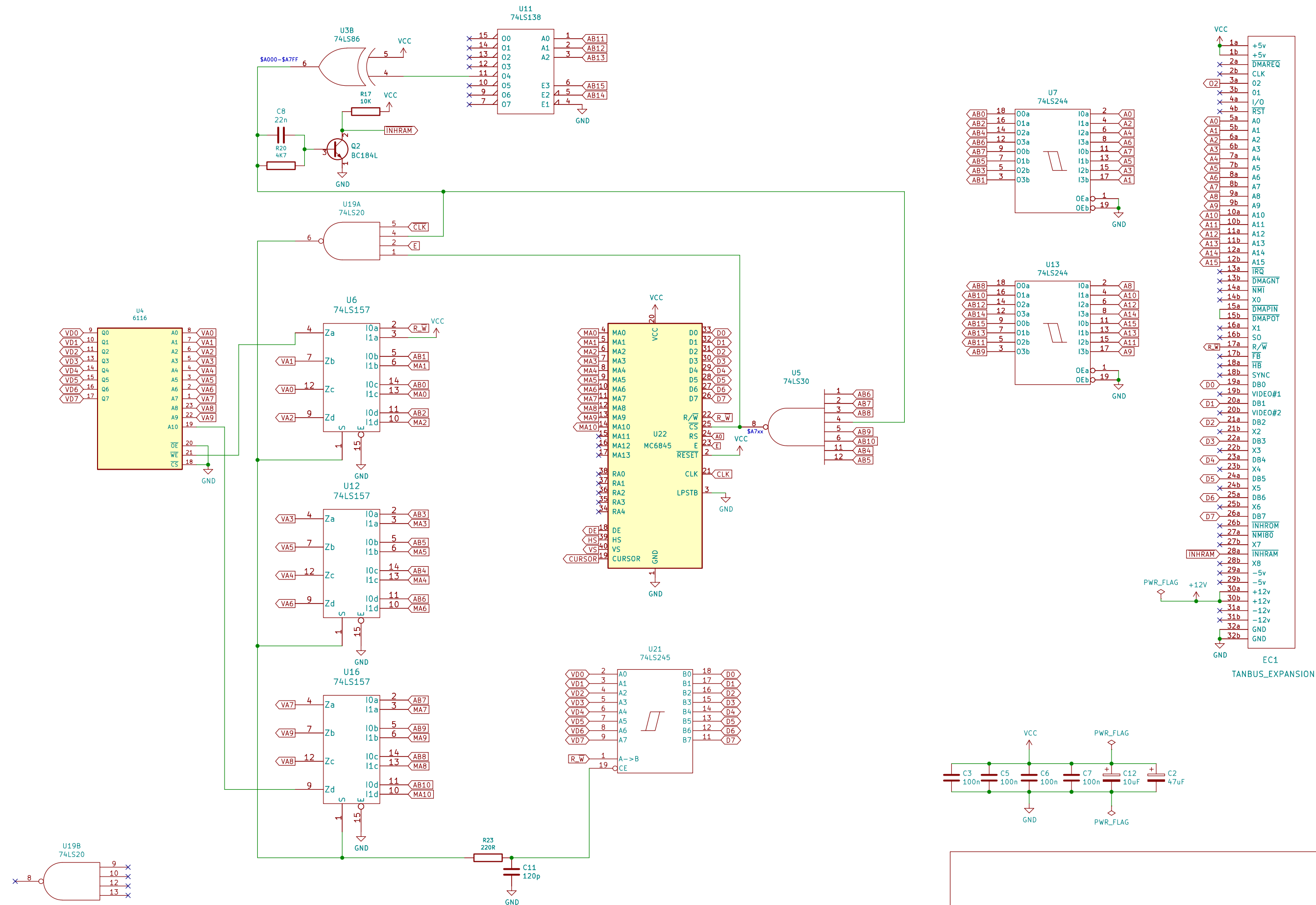
Video Memory

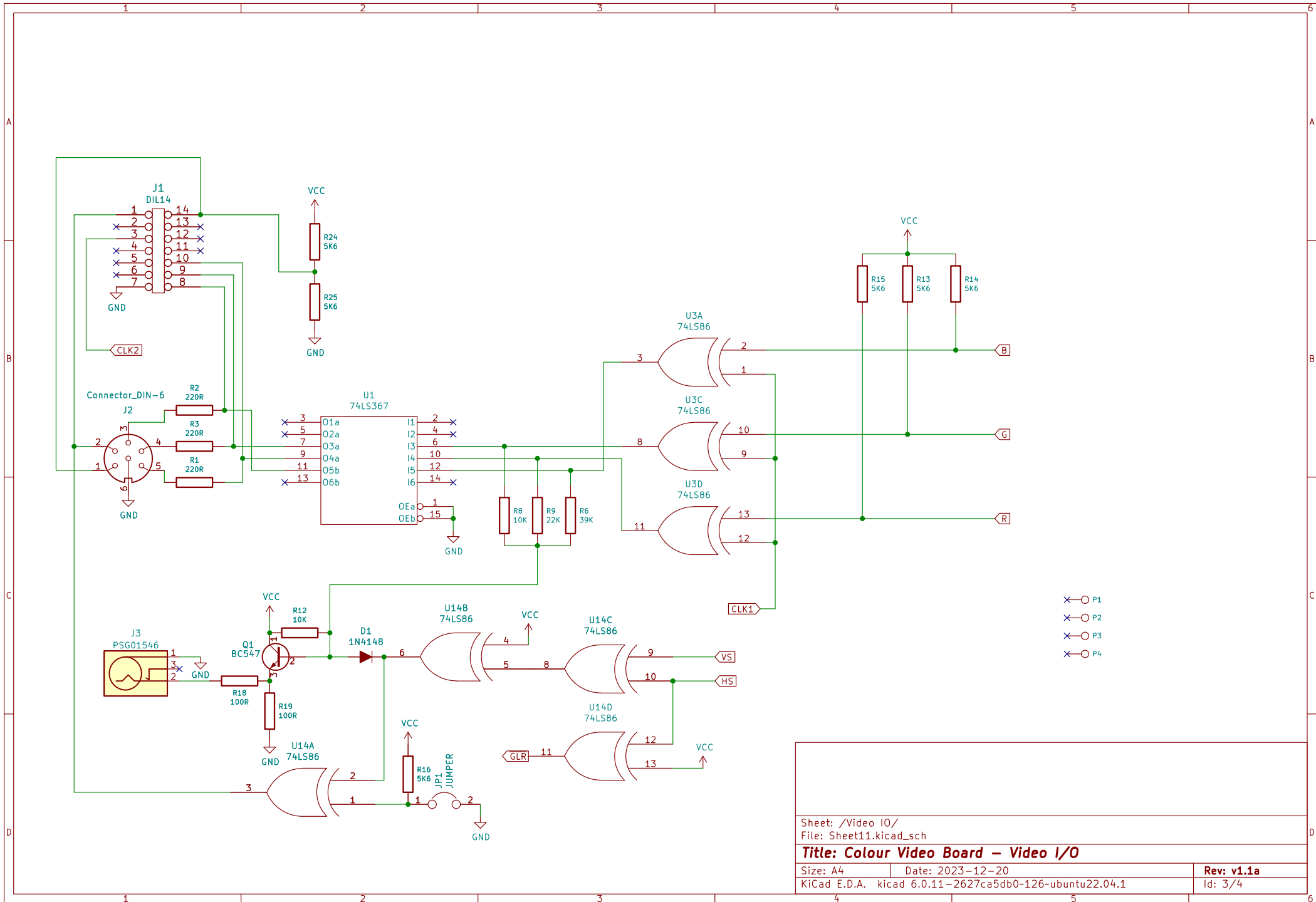


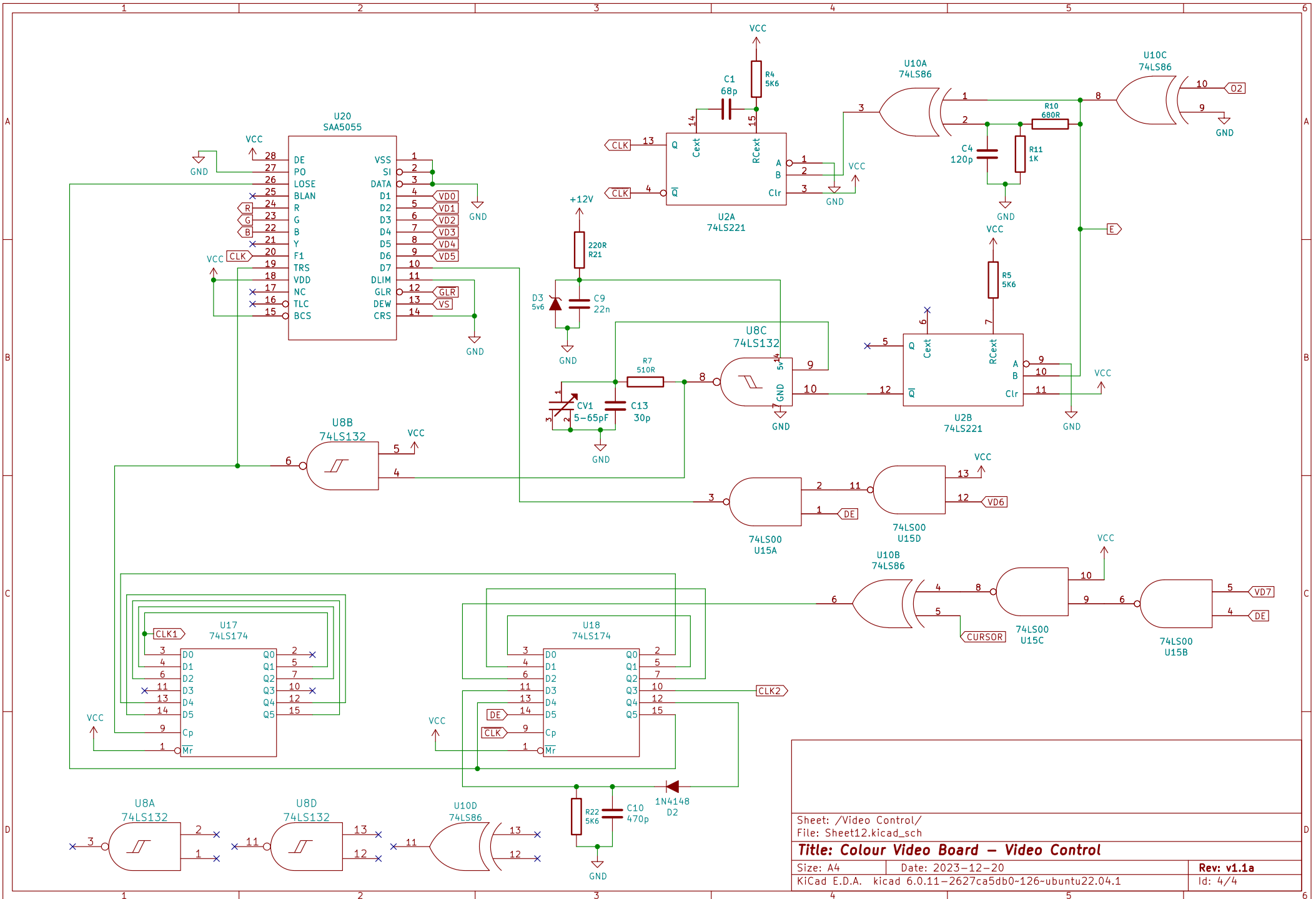
File: Sheet 13.kicad_sch



Sheet: /	
File: CVB-R.kicad_sch	
Title: Colour Video Board -R	
Size: A4	Date: 2023-12-20
KiCad E.D.A. kicad 6.0.11-2627ca5db0-126-ubuntu22.04.1	
Rev: v1.1a	
Id: 1/4	







Sheet: /Video Control/		Date: 2023-12-20	
File: Sheet12.kicad_sch		Rev: v1.1a	
Title: Colour Video Board – Video Control		KiCad E.D.A. kicad 6.0.11-2627ca5db0-126-ubuntu22.04.1	
Size: A4	Id: 4/4		